

THIS DRAWING IS UNPUBLISHED. RELEASED FOR PUBLICATION AUGUST, 2005.  
 © COPYRIGHT 2005 BY TYCO ELECTRONICS CORPORATION. ALL RIGHTS RESERVED.

LOC	DIST	REVISIONS					
		P	LTR	DESCRIPTION	DATE	DWN	APVD
E	B	D		ECR-05-006587	03AUG05	JMS	FWK

NOTES:

- 1 SINGLE PACK IN ACCORDANCE WITH AMP SPEC 107-3275
- 2 50 TRAY PACK IN ACCORDANCE WITH AMP SPEC 107-3275
- 3 FLASH Au PLATING OVER Ni PLATING OVER Cu PLATING
- 4 0.8µm Au PLATING OVER Ni PLATING OVER Cu PLATING
- 5 Ni PLATING OVER Cu PLATING
- 6 TIN PLATING
- 7 RECOMMENDED SELF-TAPPING SCREW 221108-4

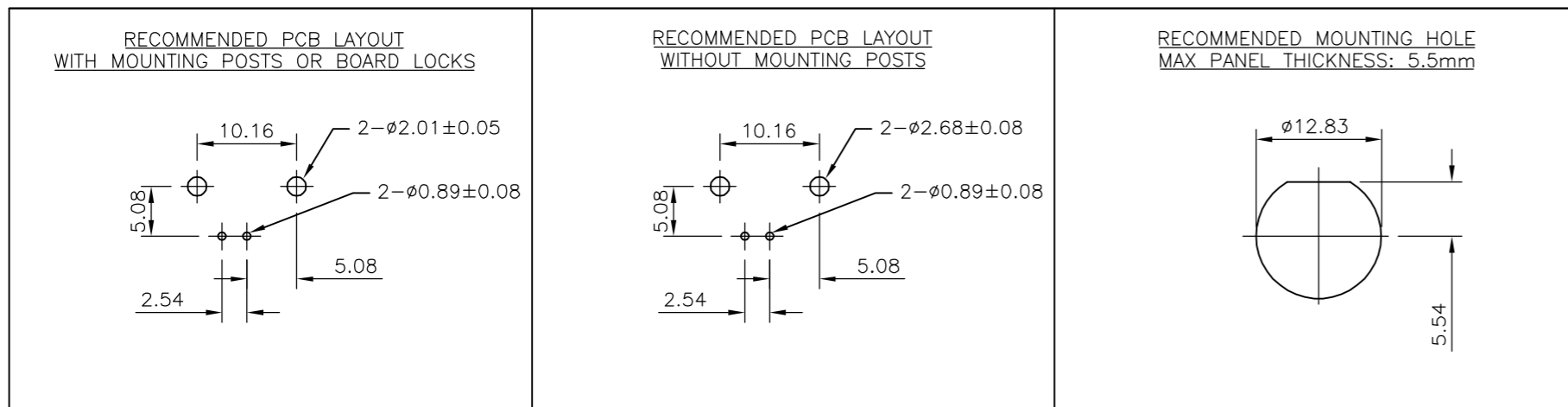
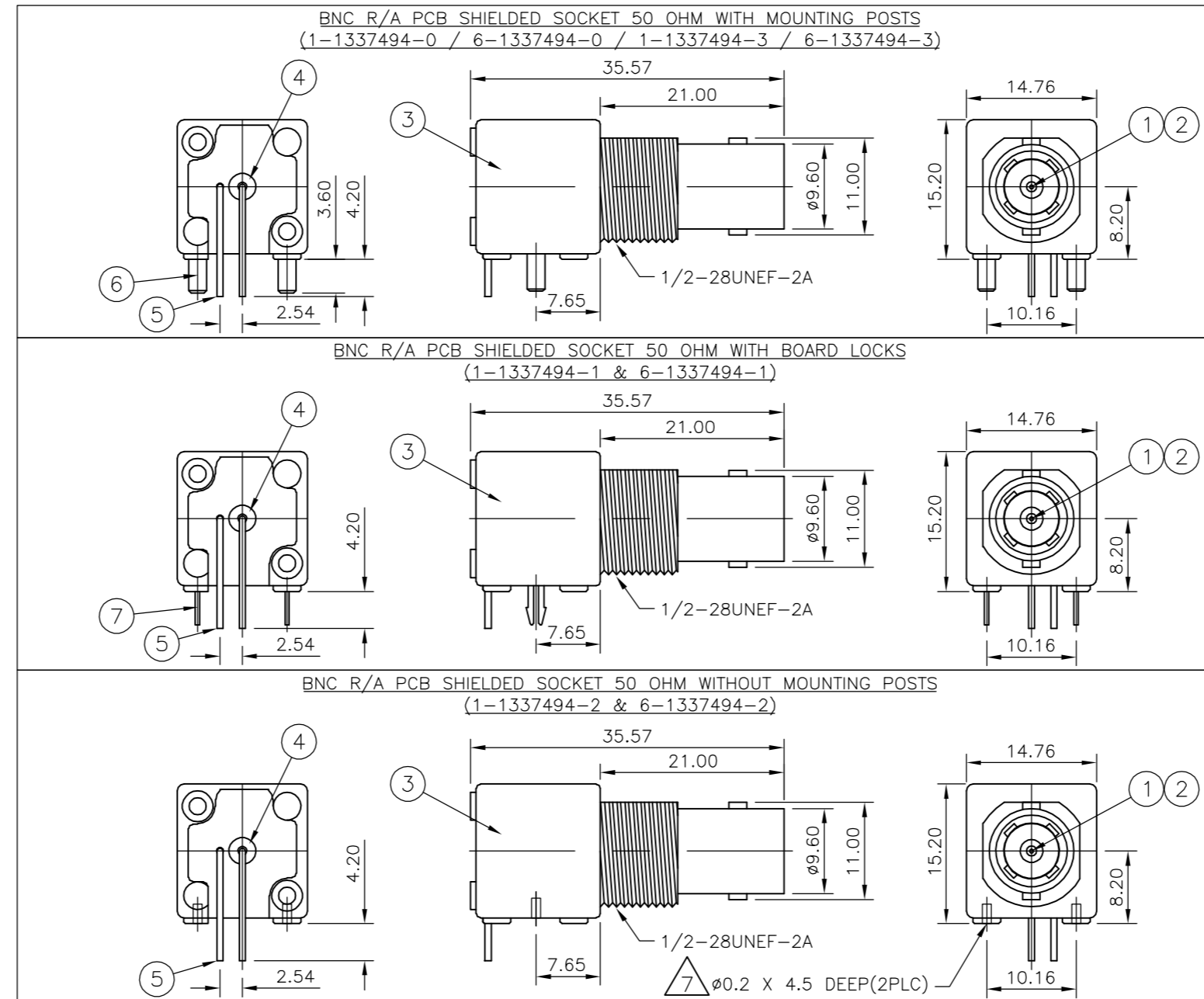
- 8. RECOMMENDED MOUNT NUT 1-1634816-0
- 9. RECOMMENDED LOCKWASHER 1-1634817-0

10. CHARACTERISTICS

FREQUENCY RANGE:	DC - 4GHz
NOMINAL IMPEDANCE:	50 OHMS
WORKING VOLTAGE:	500V RMS
INSULATION RESISTANCE:	5000 MOHMS
DIELECTRIC WITHSTAND VOLTAGE:	1500V RMS
CONTACT RESISTANCE:	
CENTRE CONTACT	1.5 mOHMS
OUTER CONTACT	0.2 mOHMS

11. MECHANICAL CHARACTERISTICS  
 DURABILITY: 50 CYCLES

- 12. FOR TECHNICAL DATA REFER TO YOUR LOCAL TYCO ELECTRONICS SALES OFFICE
- 13. ALL DIMENSIONS ARE NOMINAL FOR REFERENCE ONLY UNLESS OTHERWISE STATED



QTY	DESCRIPTION	ITEM
-	BRASS	BOARD LOCK
2	BRASS	MOUNTING POST
1	BRASS	SOLDER TAIL
1	PE-606	INSULATOR
1	ZINC ALLOY	BODY
1	BRASS	CONTACT
-	BRASS	CONTACT
6--3		
1--3		
6--2		
1--2		
6--1		
1--1		
6--0		
1--0		

THIS DRAWING IS A CONTROLLED DOCUMENT.		DWN J.SANDWELL 18MAR04	Tyco Electronics Corporation Bideford, UK, EX39 4HE	
DIMENSIONS: mm		CHK S.PARLOW 18MAR04		
TOLERANCES UNLESS OTHERWISE SPECIFIED		APVD F.WHEELER-KING 18MAR04	NAME BNC R/A PCB SHIELDED SOCKET 50 OHM	
0 PLC ±		PRODUCT SPEC 108-3435	SIZE A2	
1 PLC ±		APPLICATION SPEC N/A	CAGE CODE 00779	
2 PLC ±		WEIGHT -	DRAWING NO C=1337494	
3 PLC ±		MATERIAL SEE TABLE	RESTRICTED TO -	
4 PLC ±		FINISH SEE TABLE	SCALE NTS	
ANGLES ±		CUSTOMER DRAWING		
		SHEET 1 OF 1		
		REV D		

1337494